

THE **LUXURIOUS** RICH LOOK OF  
GENUINE WESTERN RED CEDAR



CLASSIC



[www.thecedarshed.co.nz](http://www.thecedarshed.co.nz)



The Cedar Shed has been a trusted name in timber storage sheds since 1987, providing New Zealanders with excellent quality sheds that are not only practical but also beautiful to look at. With a Cedar range clad in unique “knotty grade” rough-sawn cedar planking, sourced from sustainable forestry suppliers in Canada, and transformed into stunning eco-friendly storage masterpieces in our Hamilton factory by our skilled craftsmen, you can be assured that your shed will be both durable and stylish.

Our Cedar sheds take inspiration from the rustic beauty of back country living and are manufactured alongside our market-leading Duratuf steel sheds in New Zealand. With a rugged rough-sawn look that can be both traditional and contemporary, Cedar sheds provide a distinctive and exciting complement to any New Zealand home.

## DESIGN YOUR DREAM SHED IN FOUR EASY STEPS...



With our user-friendly 3D Shed builder tool you can take any standard Cedar shed model and customise it to suit your needs.

Add doors and windows, change the roof style, and choose from our wide range of accessories. You can then give your design to your nearest retailer for a quote.

[thecedarshed.co.nz](http://thecedarshed.co.nz)

## WESTERN RED CEDAR... WHY YOU'LL LOVE IT.

As one of the worlds most durable timbers, Cedar lasts for decades and even centuries in the harshest of environments. Light in weight, uniformly textured, straight-grained and containing no resin, Western Red Cedar is easy to work with, making it the ultimate choice in timber shed construction.



**It's Beautiful** - No man-made material can duplicate the depth of Western Red Cedar's natural lustre. Western Red Cedar's rich grain and vibrant colour make it the best material for all applications where beauty is important. Of all woods, Cedar ranks at the top in it's ability to accept and maintain an attractive finish.

**It's Strong** - Western Red Cedar has excellent dimensional stability and endurance. This is an important characteristic for timber cladding as it lays flat and stays straight. The even grain and relatively consistent density make Western Red Cedar less likely to swell, warp, cup and twist than other more readily available timbers.

**Long-Lasting** - Cedar fibres contain natural oils called thujaplicins that act as natural preservatives, making the wood extremely long-lasting and assisting the wood to resist insect attack and decay. Properly finished and maintained, Western Red Cedar ages gracefully and endures for many years. Many people use our specially formulated Endurance Cedar Protectant to enhance the natural fibres and bring out the rich colours that lie within, while extending the life of their shed.



**Non-Toxic** - Western Red Cedar is non-toxic and requires no chemical treatment when used on the cladding of our Cedar sheds. Because it is rich in natural compounds that enhance durability, Cedar does not require harmful chemical treatments and is free of the pitch and resin found in other timbers, along with other additives such as arsenic. A safe option in your backyard!

**Smells Great** - Western Red Cedar is well known for its distinctive aroma. Over the course of time the wood retains its subtle aroma and the characteristic fragrance adds another dimension to the overall appeal of the Cedar storage sheds. This is one of little things that will impress you every time you are in or around your Cedar Shed.

**Sustainable** - In addition to its functional benefits, Canadian western red cedar is also known for its sustainable sourcing practices. The majority of the cedar trees used for construction are harvested from privately owned lands where sustainable forestry practices are employed to ensure the long-term health and regeneration of the forests. These practices involve replanting harvested areas and allowing the remaining trees to continue to grow and mature, preserving the natural ecosystem of the region. This commitment to sustainable sourcing ensures that future generations can continue to enjoy the benefits of this remarkable wood species for years to come.



Beautifully grained, with subtle natural variations in colour. You can't beat the natural lustre of Premium Cedar cladding. If you want your Cedar Shed to be the showpiece in your backyard you won't be disappointed.

# INTRODUCING THE ULTIMATE IN LUXURIOUS STORAGE...

## Rustic or Contemporary

Your choice of shingle or pre-painted steel roof. Note that the Bristol, Urban, and Dover models are available with steel roofs option only.

## No Condensation

Fully lined with building paper. Keeps your gear moisture free.

## Solid Treated Timber Frame

Makes easy fixing of shelves, workbenches and lining kits.

## Lockable Polymer Handle

No rusty pad-bolts or missing padlocks.

## High Quality Joinery

Residential grade fixed or opening aluminium windows optional on all models.

## Solid Tongue & Groove Cedar Door

## Waterproof!

PVC weather-strip provides a water tight floor.

## Modular Panel Design

Pre-made panels make for quick and easy installation.

## Anti Rust Stainless Fixings

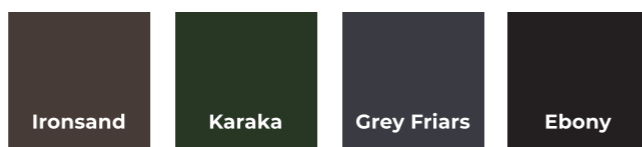
Long-lasting. Perfect for coastal locations.



“ It looks fantastic! And worth every cent. I will recommend it to anyone wanting that 'Touch of Class' in their back yard. Well done! ”  
A. Roest

## Steel Roof & Window Colour Options

Choose from these 4 popular colour options.



## SUPERIOR CONSTRUCTION, MAKING IT LAST

### Modular Assembly System

This system has been distinctive to The Cedar shed for over 30 years and is constructed from pre treated framing, clad with premium Canadian sourced Cedar weatherboards.

### Building Paper

Each panel is lined with heavy-duty building paper to create an ultra-dry interior, making it ideal for storing items that are sensitive to moisture.

### Stainless Steel Staples

These are used to fasten the Cedar weatherboards to the timber frame creating a structure that will last. Great for coastal areas and other harsh environments.

### Robust Flooring Options

While all Cedar Shed purchases come with the option of pine floor boards, some models offer additional flooring options to choose from. The floor kit is pre-cut in the factory and includes treated joists and sturdy pine floor boards, providing a durable and reliable foundation for your shed.

EASY INSTALLATION WITH THE MODULAR ASSEMBLY SYSTEM



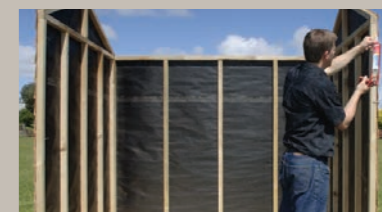
1. KITSET ARRIVES



2. LAY OUT PRE-MADE PANELS



3. ASSEMBLE PRE-CUT FLOOR



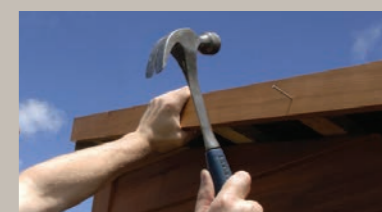
4. STAND UP WALL PANELS



5. FIT ROOF



6. FIT DOOR



7. ATTACH FASCIA



8. FILL IT UP!

## GUARANTEED FOR PEACE OF MIND

### 15 YEAR QUALITY WORKMANSHIP WARRANTY

Your new Cedar shed is guaranteed against defective material and faulty workmanship for fifteen years from date of purchase.

Terms and conditions apply.

Full warranty details are sent with your shed or can be requested from your retailer.





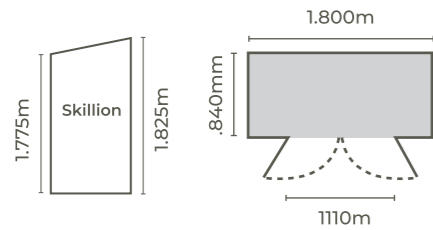
## CAMBRIDGE LOCKER CLASSIC

The Cambridge Locker is a small garden shed with a difference – its compact, makes it easy to access your gear and adds a touch of class to your backyard!

The pre-painted Ironsand steel skillion roof and back wall construction allows the shed to be positioned against your house or fence, saving you valuable space. Includes floor and 3 shelves.

Product Code: WCS1808-D

|                         |                        |
|-------------------------|------------------------|
| Base Dimension          | 1.800 x 0.840 x 1.825m |
| Roof Size - Colour roof | 1.840 x 0.895m         |
| Door                    | 1110mm opening         |



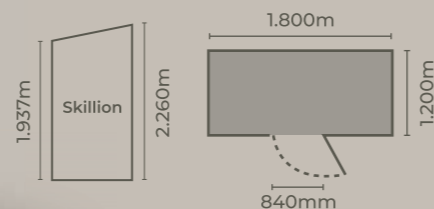
Includes floor & 3 shelves!



## HAMPSHIRE CLASSIC

Product Code: WCS1812

|                |                        |
|----------------|------------------------|
| Base Dimension | 1.800 x 1.200 x 2.260m |
| Roof Size:     |                        |
| - Shingle      | 1.950 x 1.330m         |
| - Colour roof  | 2.095 x 1.330m         |
| Door           | 840mm opening          |
| Concrete Slab  | 1.785 x 1.175m         |



If you're looking for a shed that maximizes space, our Hampshire model is an excellent option.

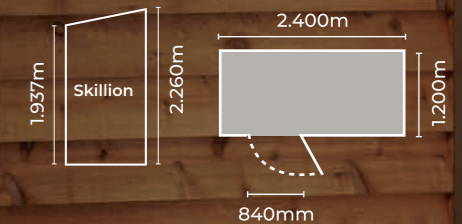
Its design is ideal for properties with limited space, and it can be conveniently placed against a house or fence while directing water away from the rear.

## WOODRIDGE CLASSIC

Product Code: WCS2412

|                |                        |
|----------------|------------------------|
| Base Dimension | 2.400 x 1.200 x 2.260m |
| Roof Size:     |                        |
| - Shingle      | 2.550 x 1.330m         |
| - Colour roof  | 2.590 x 1.330m         |
| Door           | 840mm opening          |
| Concrete Slab  | 2.385 x 1.175m         |

The Woodridge is a lengthier version of the well-liked Hampshire model. It offers ample and practical storage space along the side of the house.



Shown with optional pre-painted steel roof.





## FERNDALE CLASSIC

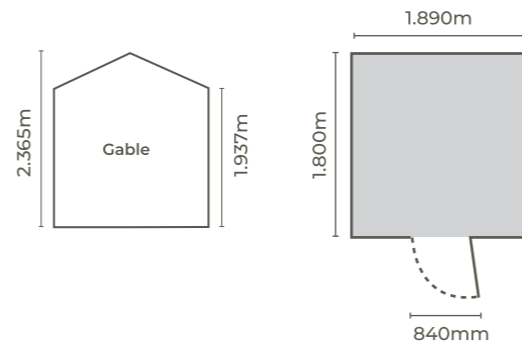
Introducing the Ferndale - a square-shaped shed that offers ample storage space for small garden items. Its gable end door adds a unique touch to its overall design.

Additionally, as with all Cedar sheds, having the option to add a window if desired.

Overall, the Ferndale is a fantastic addition to any backyard, providing a compact and practical storage solution.

Product Code: WCE1918

|                |                        |
|----------------|------------------------|
| Base Dimension | 1.800 x 1.890 x 2.365m |
| Roof Size:     |                        |
| - Shingle      | 1.950 x 2.160m         |
| - Colour roof  | 2.095 x 2.160m         |
| Door           | 840mm opening          |
| Concrete Slab  | 1.785 x 1.875m         |



Also available with Shingle roof.

Product Code: WCE1924

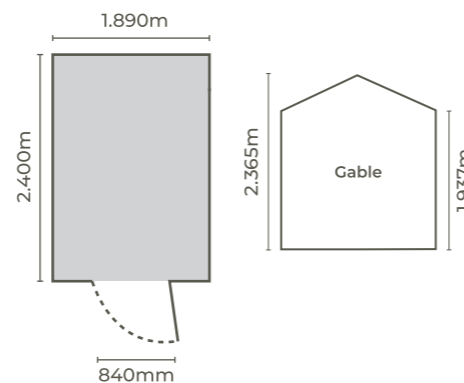
|                |                        |
|----------------|------------------------|
| Base Dimension | 1.890 x 2.400 x 2.365m |
| Roof Size:     |                        |
| - Shingle      | 2.160 x 2.550m         |
| - Colour roof  | 2.160 x 2.595m         |
| Door           | 840mm opening          |
| Concrete Slab  | 1.875 x 2.385m         |

## SHERWOOD CLASSIC

The Sherwood model showcasing the optional Grey Friars color steel roof.

Similar to the Ferndale, the Sherwood also provides easy end access, which is convenient for storing bikes and other longer objects.

This design typically fits snugly between a house and a fence, making efficient use of space.



## MILLBROOK CLASSIC

The dimensions and conventional shape of the Millbrook places it in the "most popular size garden shed" category.

The Millbrook is a great all rounder. All your traditional garden gear will fit in here with ease.

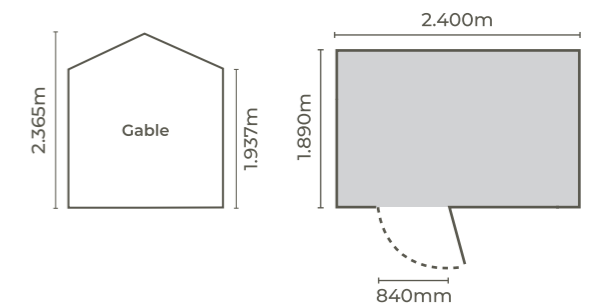
Please note...chooks and other props are not included!

Product Code: WCG2419

|                |                        |
|----------------|------------------------|
| Base Dimension | 2.400 x 1.890 x 2.365m |
| Roof Size:     |                        |
| - Shingle      | 2.550 x 2.160m         |
| - Colour roof  | 2.595 x 2.160m         |
| Door           | 840mm opening          |
| Concrete Slab  | 2.385 x 1.875m         |



Shown with optional aluminium window.



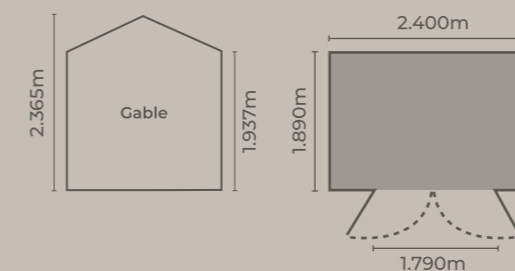
## ASTOR CLASSIC

The Astor is the perfect solution for storing bikes and larger items. With its double doors, access is made easy, while still being the same size as the Millbrook.

Additionally, the Astor is versatile enough to accommodate a variety of needs, such as storing children's toys or pool equipment.

Product Code: WCG2419-D

|                |                        |
|----------------|------------------------|
| Base Dimension | 2.400 x 1.890 x 2.365m |
| Roof Size:     |                        |
| - Shingle      | 2.550 x 2.160m         |
| - Colour roof  | 2.595 x 2.160m         |
| Door           | 1.710mm opening        |
| Concrete Slab  | 2.385 x 1.875m         |



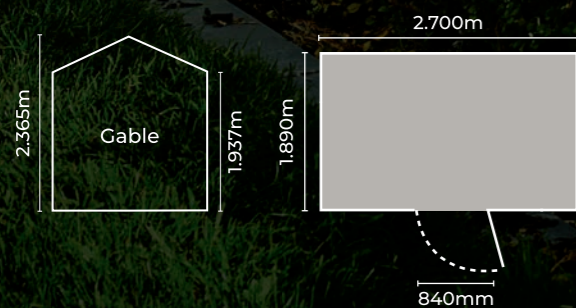
Shown with Karaka steel roof option.



## LOGAN CLASSIC

The 'Logan' is another top seller and with the door in the centre of the long side, there is liberal work and storage space inside and room for a workbench too.

As pictured, the Logan featuring two fixed timber framed windows as an optional extra. Popular and practical best describes the Logan.



Product Code: WCG2719

|                |                        |
|----------------|------------------------|
| Base Dimension | 2.700 x 1.890 x 2.365m |
| Roof Size:     |                        |
| - Shingle      | 2.850 x 2.160m         |
| - Colour roof  | 2.930 x 2.160m         |
| Door           | 840mm opening          |
| Concrete Slab  | 2.685 x 1.875m         |

## COVENTRY CLASSIC

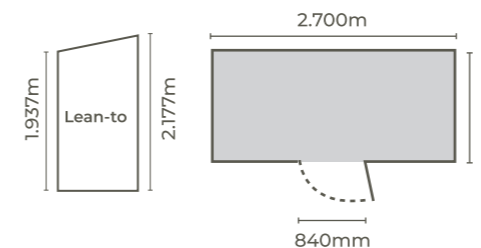
Struggling with limited storage space but don't want to sacrifice too much room?

The Coventry shed is the perfect fit for those who need just a little extra storage space without taking up too much of your precious outdoor real estate.

Its lean-to design ensures that all water runs away from the door area, keeping your belongings dry and protected.

Product Code: WCL2715C

|                |                        |
|----------------|------------------------|
| Base Dimension | 2.700 x 1.500 x 2.177m |
| Roof Size:     |                        |
| - Colour roof  | 2.925 x 1.820m         |
| Door           | 840mm opening          |
| Concrete Slab  | 2.685 x 1.485m         |



## MONTROSE CLASSIC

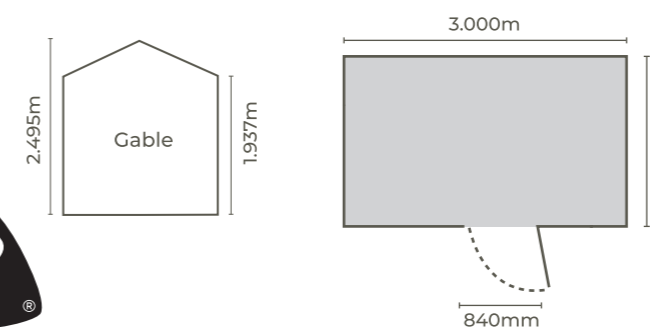
Your solution to a spacious and versatile workshop or garage. With a generous 2.5m depth, this structure provides ample space for all your needs. In fact, it's so roomy that you can even consider clearing out your cluttered garage and making the Montrose your go-to space.

The Montrose can be customized with double doors for easy access, and optional fixed or opening windows to suit your preferences. You have the freedom to choose the position of the windows, ensuring optimal natural lighting and ventilation.

Product Code: WCG3025

|                |                        |
|----------------|------------------------|
| Base Dimension | 3.000 x 2.490 x 2.495m |
| Roof Size:     |                        |
| - Shingle      | 3.150 x 2.735m         |
| - Colour roof  | 3.265 x 2.735m         |
| Door           | 840mm opening          |
| Concrete Slab  | 2.985 x 2.475m         |

Shown with optional fixed timber frame windows.





## REGENT CLASSIC

The all new longer version of our top selling Logan the "Regent" has liberal work and storage space inside and ample room for a workbench too.

Double doors are available as an option should you wish to store your dirt bikes, bigger items or want better accessibility.

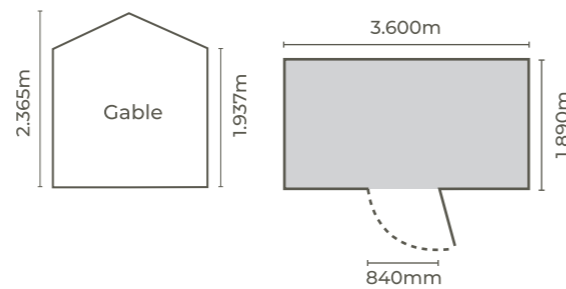
Optional window as shown provides plenty of natural light to work in.

Product Code: WCG3619

|                |                        |
|----------------|------------------------|
| Base Dimension | 3.600 x 1.890 x 2.365m |
| Roof Size:     |                        |
| - Shingle      | 3.750 x 2.160m         |
| - Colour roof  | 3.765 x 2.160m         |
| Door           | 840mm opening          |
| Concrete Slab  | 3.585 x 1.875m         |



Shown with optional fixed aluminium window & Ironsand steel roof option.



Bentley shown with optional aluminium windows & Karaka steel roof option.

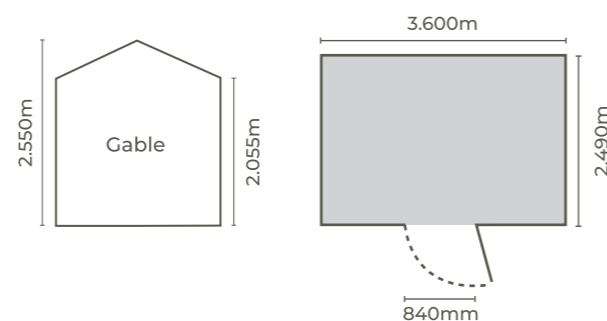
## BENTLEY CLASSIC

The Bentley is not just a typical garden shed, but a versatile and spacious structure that can serve multiple purposes. Its ample size allows it to be transformed into an office, studio, or hobby room, while still leaving enough space for a workbench and some storage.

One of the advantages of the Bentley is its excellent storage capacity. Optional windows can be included to provide plenty of natural light for a comfortable working environment.

Product Code: WCG3625

|                |                        |
|----------------|------------------------|
| Base Dimension | 3.600 x 2.490 x 2.550m |
| Roof Size:     |                        |
| - Shingle      | 3.750 x 2.735m         |
| - Colour roof  | 3.765 x 2.735m         |
| Door           | 840mm opening          |
| Concrete Slab  | 3.585 x 2.475m         |



“7 hours and all erected, just me and my 9 year old son. The kitset would be the best I have ever worked with so very well done to whomever designed it. It was a pleasure to put up, an excellent product.”

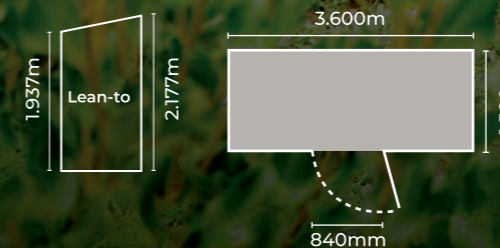
Doug



## NOTTINGHAM CLASSIC

Product Code: WCL3615C

|                |                        |
|----------------|------------------------|
| Base Dimension | 3.600 x 1.500 x 2.177m |
| Roof Size:     |                        |
| - Colour roof  | 3.740 x 1.820m         |
| Door           | 840mm opening          |
| Concrete Slab  | 3.585 x 1.485m         |



If you need even more storage space than what the Coventry offers, consider the "Nottingham".

This shed has generous storage space inside and plenty of room to store all of your garden essentials, including shovels, rakes, lawnmowers, wheelbarrows, and even the kids' bikes.

If you have larger items to store or want better accessibility, double doors are available as an option. Additionally, an optional window is available to provide plenty of natural light for working inside the shed.



Shown with optional fixed aluminium windows & Ebony steel roof option.

## BRISTOL CLASSIC

The Bristol is the flagship of the Cedar Shed range, and it boasts a spacious floor area that makes it perfect for storing large items such as ride-on mowers, quad bikes, or even a collection of outdoor gear.

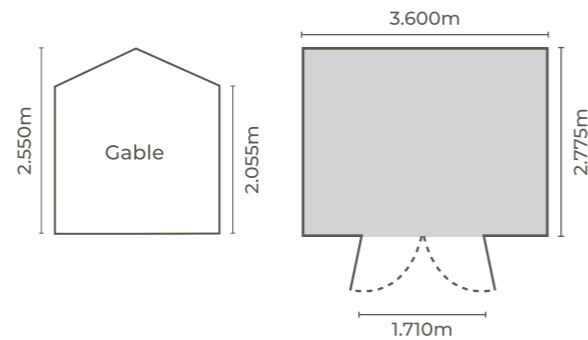
The shed's double hinged door provides easy access, and it can be opened fully to allow for even larger items to be moved in and out.

In addition to its practicality, the Bristol is also a stylish addition to any outdoor space.

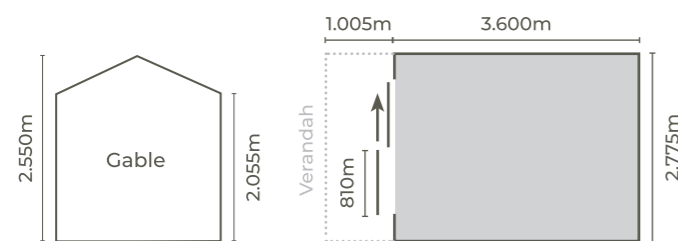
Please note that the shingle roof option is not available with the Bristol model.

Product Code: WCG3628-D

|                |                        |
|----------------|------------------------|
| Base Dimension | 3.600 x 2.775 x 2.550m |
| Roof Size:     |                        |
| - Colour roof  | 3.265 x 2.735m         |
| Door           | 1710mm opening         |
| Concrete Slab  | 3.585 x 2.760m         |



Shown with optional Verandah and Deck kit



## URBAN CLASSIC

- Home office
- Studio
- Sleep-out
- Extra room
- Site Shed

Working from home and need an office? Or maybe an extra bedroom? The Urban Cedar Shed is the perfect solution for you.

The Urban has an added advantage of a 1800mm wide ranch slider, which is compliant with the updated glazing standard NZS4223.3:2016.

As with all the Cedar shed range, the walls and roof come complete with building paper making it dry and also easy to fit a lining kit.

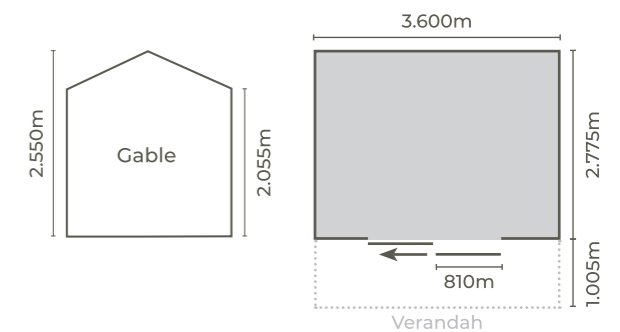
Please note: The shingle roof option is not available in the Urban.

Product Code: WCG3628-R

|                |                        |
|----------------|------------------------|
| Base Dimension | 3.600 x 2.775 x 2.550m |
| Roof Size:     |                        |
| - Colour roof  | 3.765 x 3.110m         |
| Door           | 810mm opening          |
| Concrete Slab  | 3.585 x 2.760m         |



Shown with optional Verandah and Deck kit



## DOVER CLASSIC

Looking for a versatile outdoor space? The Dover Cedar Shed can be used as a home office, studio, sleep-out, extra room, or site shed.

The Dover model features a 1800mm wide ranch slider, compliant with the updated glazing standard NZS4223.3:2016, providing easy access and plenty of natural light. The walls and roof come with building paper, ensuring a dry and easy-to-fit lining kit.

Please note that the shingle roof option is not available with the Dover model.

Product Code: WCE2836-R

|                |                        |
|----------------|------------------------|
| Base Dimension | 2.775 x 3.600 x 2.550m |
| Roof Size:     |                        |
| - Colour roof  | 3.765 x 3.110m         |
| Door           | 810mm opening          |
| Concrete Slab  | 2.760 x 3.585m         |



### Optional Verandah & Deck Kit

Enhance the appeal and practicality of your Urban Cabin with the Verandah and Deck Kit. It looks great and protects you from the elements.

This kit can be purchased as the deck only, or the deck and verandah combination.

### Rear View

Optional opening window shown for extra light and improved air flow.

Note: The Cedar Sheds shown in this brochure have been coated with Endurance Cedar Protectant to enhance and preserve their natural beauty. Endurance Cedar Protectant is an optional accessory.



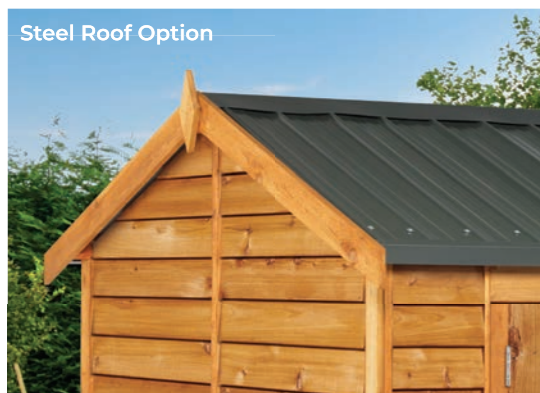
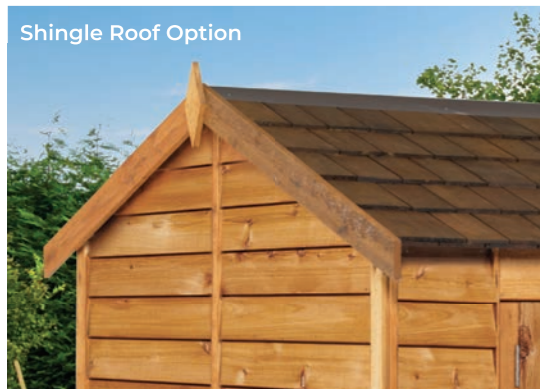
# CUSTOMISE YOUR SHED

## ROOF OPTIONS

The Cedar Shed range is unique for its ability to adapt to 2 different roof styles.

Choose your roof from the rustic looking popular Cedar shingles, or enjoy the contemporary looking colour roof option.

Shingle roof not available on Bristol, Urban or Dover models.



### Shelf Unit

Plywood shelf unit with brackets. 300mm wide.

Available in the following lengths: 1200mm, 1800mm and 2400mm



### Workbench

Plywood workbench 1800mm x 600mm with sturdy timber framing.



### Peg Down Kit

Anchor your Cedar shed down securely in sand or dirt substrates.

- 6 x H5 Treated Timber Pegs
- 6 x Stainless Steel Screws



### Double Door Option

Available as an option on models over 2.4 metres in width/length.



### Endurance Wall & Roof Protectant

The Endurance Wall and Shingle Protector enhances and prolongs the great look and life of your Cedar Shed.



### Bolt Down Kit

Mount your Cedar shed securely to a concrete base.

- 6 x Unique Galvanised Hold-Down Brackets
- 6 x Dynabolts and Screws



## MAKE YOUR CHOICE FROM THESE POPULAR STEEL ROOF COLOUR OPTIONS



Note: All windows added to a Cedar shed will be colour-matched to the roof colour option chosen.

For special sizes or colour options not covered in our standard range, please contact us on 0800 438 274 or email [sales@riverleagroup.co.nz](mailto:sales@riverleagroup.co.nz)

[thecedarshed.co.nz](http://thecedarshed.co.nz)

## RECOMMENDED FLOORING OPTIONS

To ensure top-notch weather resistance, it's crucial to install your Classic Cedar shed on a sturdy base. The Cedar Shed Range is designed with bottom weather boards that extend below the bottom plate, effectively covering any gaps to prevent water from seeping in. Take a look at the two options presented below.

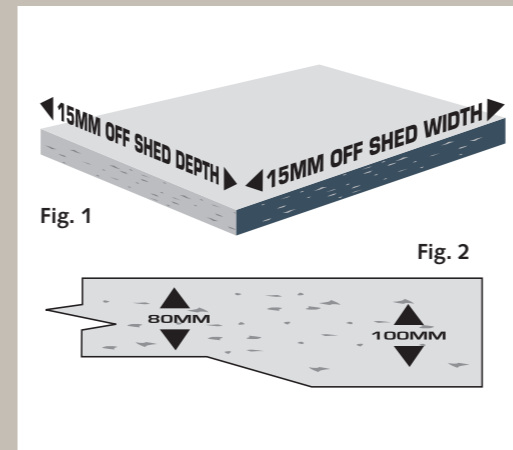


### Timber Floor Kit Options

The Cedar Shed Range offers two flooring options that serve as an excellent foundation for your shed. The first option is the treated 70 x 45mm bearers and solid H3 pine rough-sawn floorboards, making it an excellent all-purpose flooring solution for your Classic Cedar shed.

The second option is the timber floor kit, which includes 17mm H3 plywood on sturdy 70 x 45mm treated joints, providing excellent rigidity to your shed however only available on the Dover and Urban models.

These kits are quick to install and can be relocated with the shed if necessary.



### Concrete Pad Option

Nothing is more versatile than a Classic Cedar shed should you choose to pour a raised concrete base. The bottom cedar weatherboard is designed to overhang the bottom plate and cover the gap between the shed and the concrete pad, stopping water flowing inside the shed and ensuring a weather-tight finish.

Note - Ensure that the base substrate is compacted firmly. We suggest that the slab should be 80mm thick in the middle and 100mm thick around the edges (Fig 2).

The raised slab size should be 15mm smaller than the overall base size of the shed and at least 30mm above the ground line (Fig. 1). See "Concrete Slab" Specs added to each model.

## WINDOW AND ROOF PANEL OPTIONS

Let some natural light into your Cedar Classic shed with an aluminium window, timber framed window or clear roof panel. It'll help you see what you're doing while you're tinkering away with your next project.



### Fixed Or Opening Aluminium Window

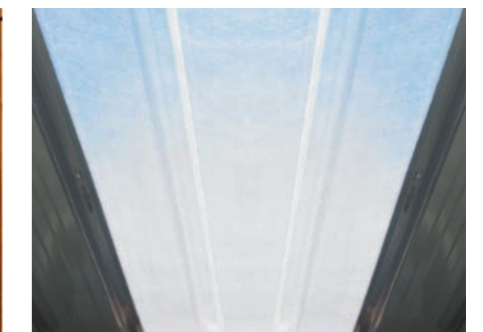
Add light and ventilation with fixed or opening aluminium windows. Optional with any Classic Cedar shed.

Windows added will be colour matched to the steel roof colour chosen.



### Fixed Timber Window

Add some light into your Classic Cedar shed with a fixed timber framed window. Optional with any Classic Cedar shed.



### Clear Roof Panel

Enhance the lighting in your Classic Cedar shed effortlessly with a Clear Roof Panel. Designed to replace a steel roof sheet, this panel offers an abundance of natural daylight.

Kindly note that clear panels may experience more condensation than steel sheets.

Make it your own.



Bentley shown with optional aluminium windows & Karaka steel roof option.



The  
**CEDAR  
SHED**

CLASSIC



Customer Helpline (weekdays)

**Call 0800 GET A SHED | 0800 438 274**

Manufactured by Riverlea Group Ltd | PO Box 11062 | Hamilton 3251 | New Zealand | +64 7 847 0204

